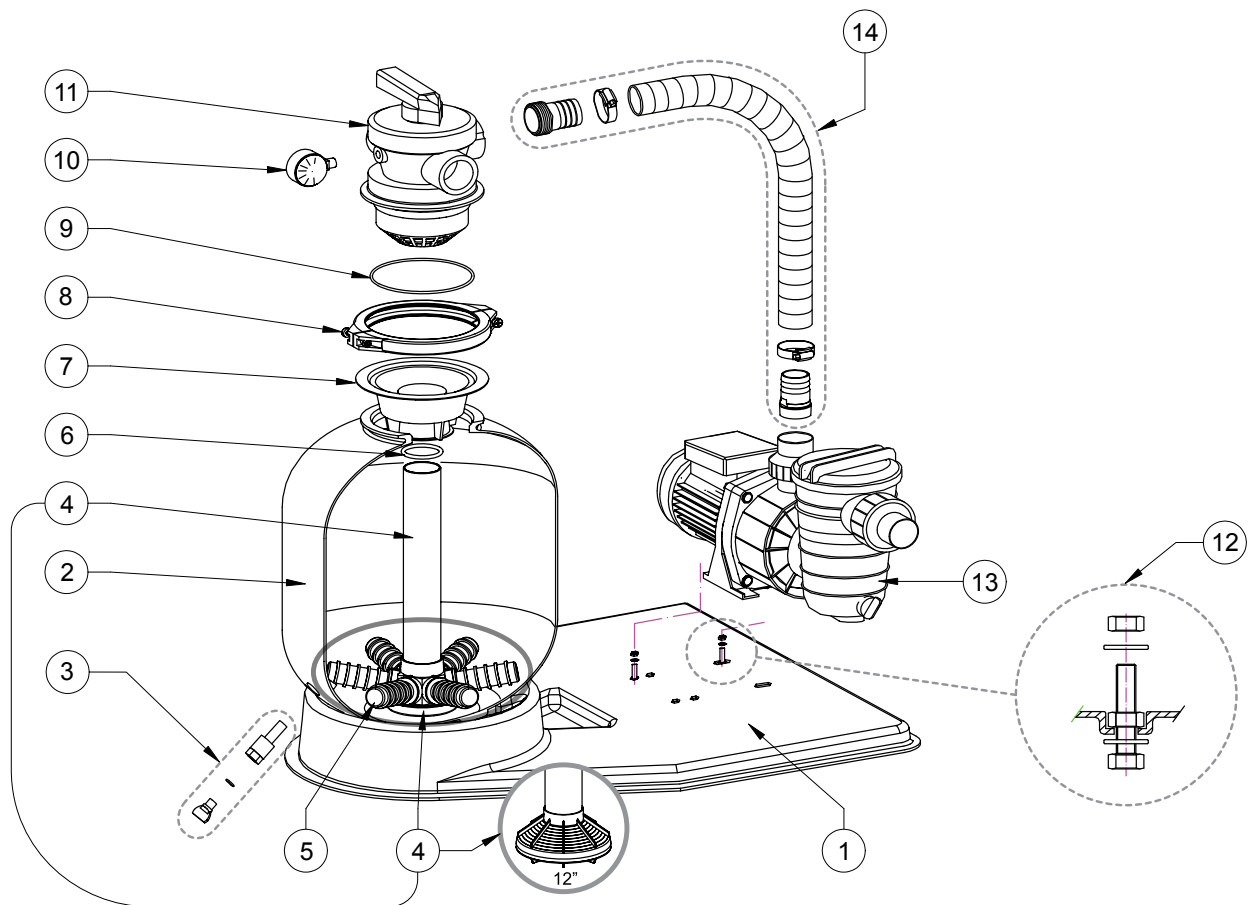


AZUR™ FILTRATION SYSTEM



AZUR™ FILTRATION SYSTEM

Replacement Parts

No.	Part No.	Description	Part No. Includes
1	R155194	Base Plate 12"	1
	R155195	Base Plate 15" - 19" - 22" with Swimmey pump	1
	R155196	Base Plate 15" - 19" - 22" with FreeFlo pump	1
2	R1217A0B	Replacement Shell Azur 12"	1
	R1518A0B	Replacement Shell Azur 15"	1
	R1925A0B	Replacement Shell Azur 19"	1
	R2230A0B	Replacement Shell Azur 22"	1
3	G-15-4607	Drain Kit	1
4	RKHP330	Stand Pipe Kit (incl. distributor) 12"	1
	G-PVC-5018/3	Stand Pipe Kit (incl. Hub) 15"	1
	G-PVC-5018/4	Stand Pipe Kit (incl. Hub) 19"	1
	G-PVC-5018/5	Stand Pipe Kit (incl. Hub) 22"	1
5	R301904	Lateral 15" & 19"	1*
	R302404	Lateral 22"	1*
6	R281018	O-Ring	1
7	R155051	Sand Guide	1
8	R272025	Clamp	1
9	R281008	O-Ring	1
10	R152047	Manometer - Pressure Gauge (bottom connection)	1
11**	RE272030	Valve 1 1/2" 4-Way (for 12" & 15")	1
	RE272026ND	Valve 1 1/2" 6-Way (for 12", 15", 19" & 22")	1
12	RAMKITSW	Hardware Kit	1
13***	P7242380	Pump SWIMMEY™ 0,18KW Mono Phase (SW8)	1
	P7242390	Pump SWIMMEY™ 0,25KW Mono Phase (SW10)	1
	P7242160	Pump SWIMMEY™ 0,37KW Mono Phase (SW12)	1
	P7242170	Pump SWIMMEY™ 0,55KW Mono Phase (SW15)	1
	P7242180	Pump SWIMMEY™ 0,75KW Mono Phase (SW19)	1
13****	FFL-031	Pump FREEFLO™ 0,25KW Mono Phase	1
	FFL-051	Pump FREEFLO™ 0,37KW Mono Phase	1
	FFL-071	Pump FREEFLO™ 0,55KW Mono Phase	1
	FFL-101	Pump FREEFLO™ 0,75KW Mono Phase	1
14	RCON1	Pump to Filter Connection Kit 12"	1
	RCON2	Pump to Filter Connection Kit 15"	1
	RCON3	Pump to Filter Connection Kit 19"	1
	RCON4	Pump to Filter Connection Kit 22"	1

* ONE FILTER REQUIRES 6 PIECES

** SEE VALVE SHEET FOR VALVE SPARE PARTS

*** SEE SWIMMEY SHEET FOR PUMP SPARE PARTS

**** SEE FREEFLO SHEET FOR PUMP SPARE PARTS